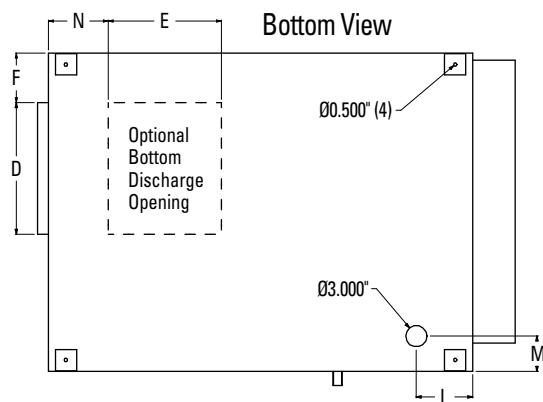
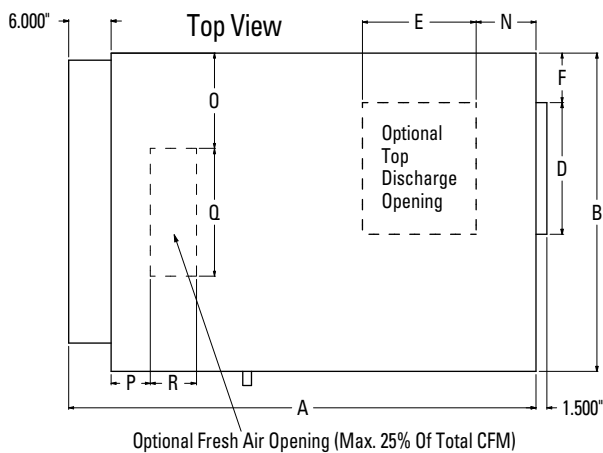
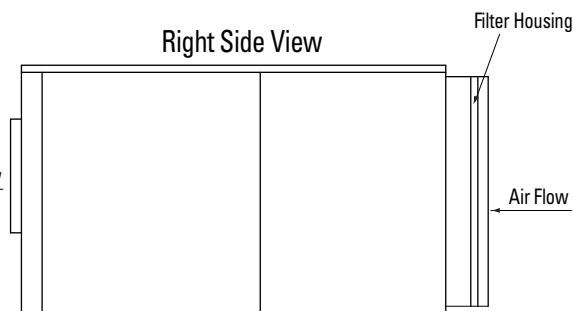
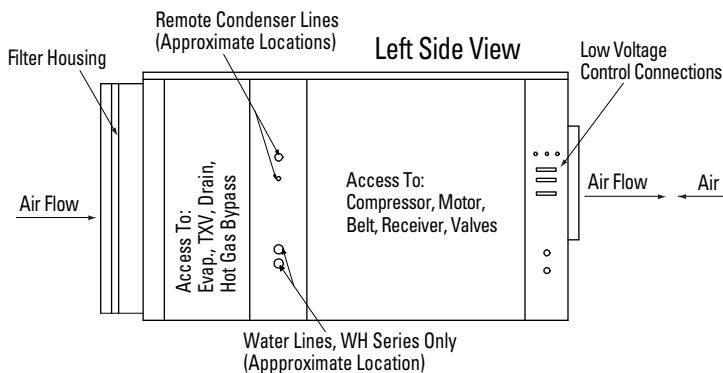
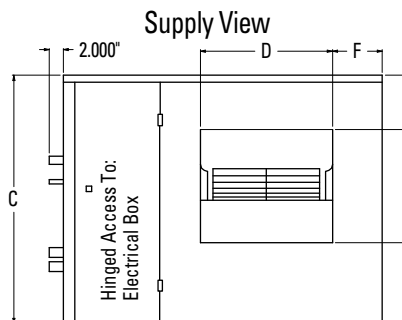
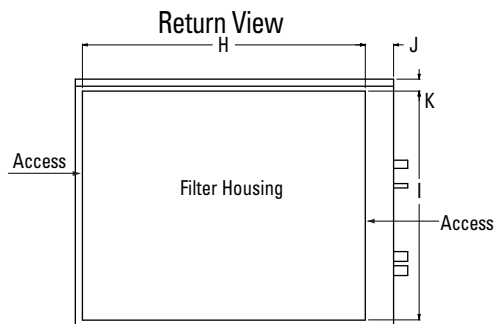


**AIR COOLED - NON WATER HEATING DEHUMIDIFIER
DCA 3600T**

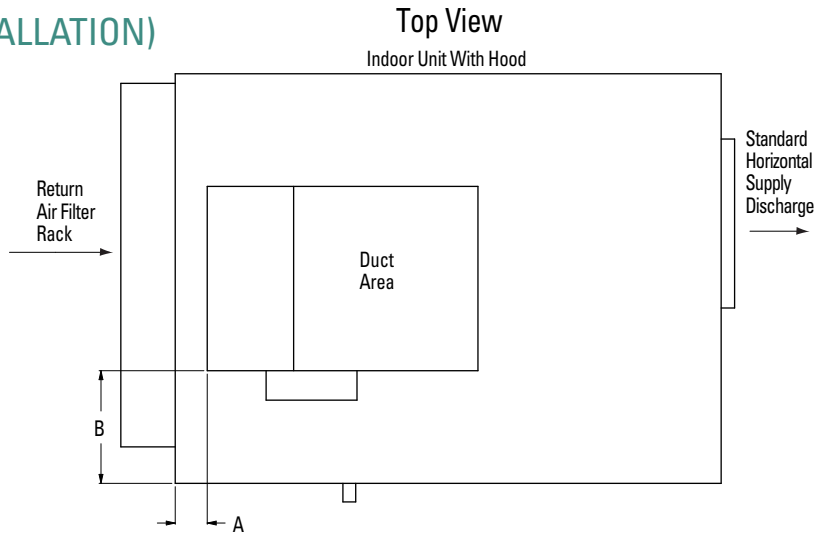
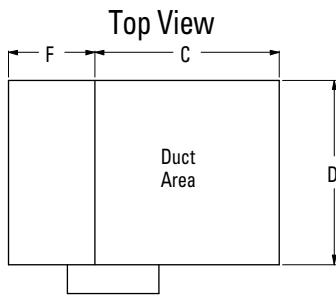
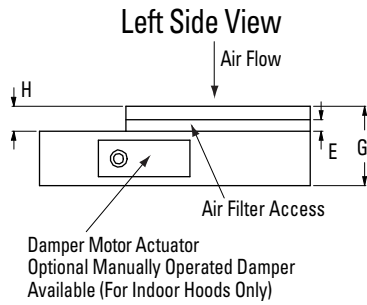
PHYSICAL DIMENSIONS



	A	B	C	D	E	F	G	H	I	J	K	L	M	N	O	P	Q	R
DCA 3600T	66	45	35	18 5/8	16	7	7 1/4	40	32 3/8	4	1 5/8	12	5	8 1/2	13 1/2	5 1/2	18	6 1/2

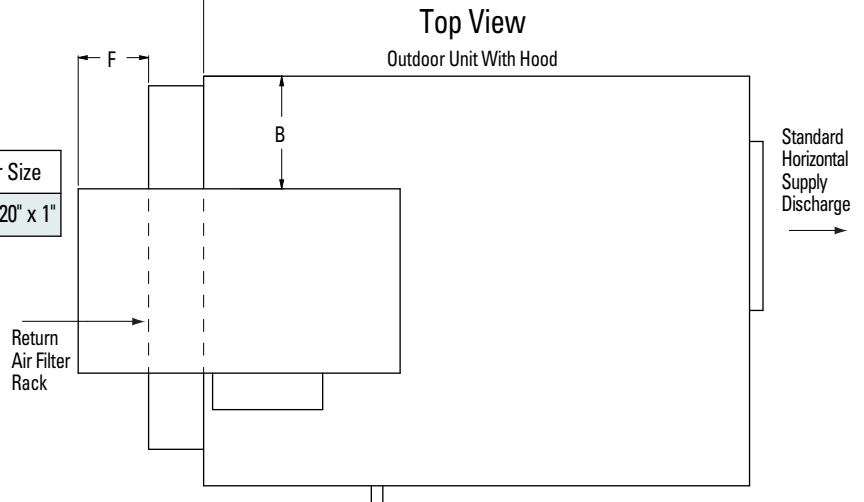
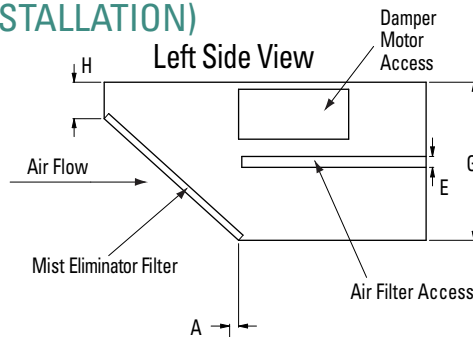
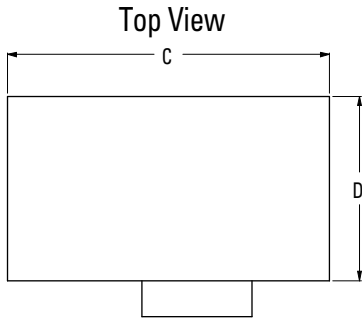
CAUTIONS: All dimensions in inches and are subject to change without notice.

INDOOR HOOD (INDOOR INSTALLATION)



Model	A	B	C	D	E	F	G	H	Filter Size
DCA 3600T	3 1/2	12 3/8	20 1/4	20 1/4	1 1/4	9 1/2	8 3/4	2 3/4	20" x 20" x 1"

OUTDOOR HOOD (OUTDOOR INSTALLATION)



Model	A	B	C	D	E	F	G	H	Filter Size
DCA 3600T	1	12 3/8	35 3/8	20 1/4	1 1/4	7 3/4	17 3/8	4	20" x 20" x 1"

CAUTIONS: All dimensions in inches and are subject to change without notice.