

LORC, LNH, LNL, LNQ AND LNX SERIES OUTDOOR AIR-COOLED REMOTE CONDENSERS

STANDARD FEATURES

- VERTICAL DISCHARGE
- WEATHER-TIGHT ELECTRICAL ENCLOSURE
- COMPUTER DESIGNED CONDENSER COILS
- FULL-FLOODING SYSTEM (-20 F CAPABILITY)
- FULLY ASSEMBLED ON HEAVY SKIDS



CABINETS

Designed for outdoor installation and constructed from heavy embossed aluminum with galvanized steel frame and legs. All fans shown in this guide are single row wide with double wide as a non-stocked option. Cabinets can be set up in a vertical or horizontal discharge configuration.

FAN MOTORS

Continuous duty, permanently lubricated, sealed ball bearing with automatic reset thermal overload protection. Single and three phase models available on most units. Direct drive fan motors feature patent-pending "Service Ease"™ motor mount system.

DEFINITION OF "QUIET" AND "STANDARD" REMOTE CONDENSERS

It is strongly recommended that where there is a choice of STANDARD and QUIET models shown that the QUIET model be selected where low operating sound is necessary such as all hotel and motel applications or where operating noise can impact personal quality of life. LORC-850 (850RPM) and all LNQ (540RPM), LNL (830 RPM) and LNX (830 RPM) models are quiet models. The balance of the LORC and LNH models exhibit standard commercial operating sound characteristics. As a bonus these condensers are also the most energy efficient available.

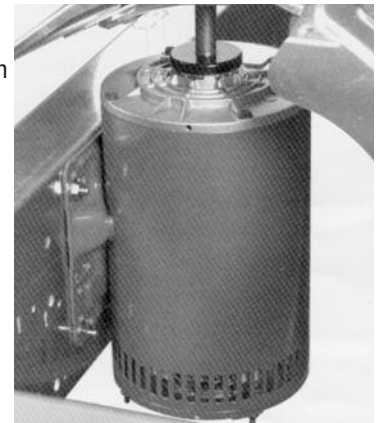
CONDENSER COILS

Feature the patented "Floating Tube"™ designed to virtually eliminate tube sheet leaks. Internal baffles are provided between all fan cells. Condensers up to 3 fans in length use

3/8" diameter tube to minimize refrigerant charge. Condensers using 4 or more fans in length use 1/2" diameter to minimize refrigerant pressure drop. Condensers shown will utilize fin spacing between 8 and 12 fins per inch depending on the model. 18 gauge galvanized steel casing and .008 inch aluminum tube sheets with fins mechanically expanded into 3/8" and 1/2" copper tubes.

FAN BLADES

Patented "QuietEdge"™ technology is used throughout for improved sound performance. Dynamically balanced propeller blades with painted steel hubs and two set screws spaced 90 degrees apart. Fan guards are close meshed steel wire with a vinyl coating.



ELECTRICAL ENCLOSURES

All models are equipped with a weather-tight electrical enclosure containing the contactor or contactors and terminal board. Units with two or more fans also have fan cycle controls in the electrical box.

CERTIFICATION

All remote condensers are tested to exacting safety standards and are listed by Underwriter Laboratories for United States and Canadian installations.

ELECTRICAL DATA AND GENERAL INFORMATION

DCA Model Numbers	Circuit(s)		Connections		No. of Fans	MCA / MOPD			Approx. Shipping Weight	Approx. Operating Weight
	S-Single D-Dual	Number of Connections	Supply O.D.	Return O.D.		208/230 1 PH	208/230 3 PH	460 3 PH		
LORC-1.5	S	1 each	5/8	5/8	1	15.0/15	15.0/15	15.0/15	96	77
LORC-2	S	1 each	7/8	5/8	1	15.0/15	15.0/15	15.0/15	96	77
LORC-3	S	1 each	7/8	5/8	1	15.0/15	15.0/15	15.0/15	96	81
LORC-4	S	1 each	7/8	5/8	1	15.0/15	15.0/15	15.0/15	135	125
LORC-5	S	1 each	1 1/8	7/8	1	15.0/15	15.0/15	15.0/15	320	195
LORC-5-850	S	1 each	1 1/8	7/8	1	15.0/15	N/A	N/A	320	195
LORC-5R-850	S	1 each	1 1/8	7/8	1	15.0/15	N/A	N/A	320	195
LORC-8	S	1 each	1 1/8	7/8	1	15.0/15	15.0/15	15.0/15	390	280
LORC-8-850	S	1 each	1 1/8	7/8	1	15.0/15	N/A	N/A	390	280
LORC-10	S	1 each	1 3/8	1 1/8	2	15.0/15	15.0/15	15.0/15	520	475
LORC-10-850	S	1 each	1 3/8	1 1/8	2	15.0/15	N/A	N/A	520	475
LORC-12	S	1 each	1 3/8	1 1/8	2	15.0/15	15.0/15	15.0/15	520	495
LORC-12-850	S	1 each	1 3/8	1 1/8	2	15.0/15	N/A	N/A	520	495
LORC-14	S	1 each	1 3/8	1 1/8	2	15.0/15	15.0/15	15.0/15	650	540
LORC-16	S	1 each	1 3/8	1 1/8	2	15.0/15	15.0/15	15.0/15	680	575
LORC-21	S	1 each	2 1/8	1 3/8	3	15.0/15	15.0/15	15.0/15	716	600
	D	2 each	1 5/8	1 1/8	3	15.0/15	15.0/15	15.0/15		
LORC-23	S	1 each	2 1/8	1 3/8	3	15.0/15	15.0/15	15.0/15	780	650
	D	2 each	1 5/8	1 1/8	3	15.0/15	15.0/15	15.0/15		
LORC-26	S	1 each	2 1/8	1 3/8	3	15.0/15	15.0/15	15.0/15	840	675
	D	2 each	1 5/8	1 1/8	3	15.0/15	15.0/15	15.0/15		
LNQ-S01-A005-10	S	1 each	1 3/8	1 3/8	1	N/A	15.0/15	15.0/15	460	350
LNQ-S01-A006-10	S	1 each	1 3/8	1 3/8	1	N/A	15.0/15	15.0/15	480	385
LNH-S01-A009-10	S	1 each	1 3/8	1 3/8	1	N/A	15.0/25	15.0/15	480	385
LNH-S02-A011-10	D	2 each	1 1/8	1 1/8	2	N/A	20.0/35	15.0/15	760	605
LNH-S02-A015-10	S	1 each	1 3/8	1 3/8	2	N/A	20.0/35	15.0/15	810	670
LNH-S02-A017-10	D	2 each	1 5/8	1 5/8	2	N/A	20.0/35	15.0/15	860	755
LNH-S03-A022-10	D	2 each	1 5/8	1 5/8	3	N/A	22.8/40	15.0/20	1170	1040
LNL-S01-A007-10	S	1 each	1 3/8	1 3/8	1	N/A	15.0/25	15.0/15	460	350
LNL-S02-A010-10	S	1 each	1 3/8	1 3/8	2	N/A	15.0/30	15.0/15	760	605
LNL-S02-A014-10	D	2 each	1 3/8	1 3/8	2	N/A	15.0/30	15.0/15	810	670
LNL-S02-A016-10	D	2 each	1 5/8	1 5/8	2	N/A	15.0/30	15.0/15	860	755
LNL-S03-A021-10	D	2 each	1 5/8	1 5/8	3	N/A	21.5/35	15.0/15	1170	1040
LNL-S03-A024-10	D	2 each	1 5/8	1 5/8	3	N/A	21.5/35	15.0/15	1240	1075
LNx-S01-A006-10	S	1 each	1 3/8	1 3/8	1	N/A	15.0/15	15.0/15	460	350
LNx-S01-A008-10	S	1 each	1 3/8	1 3/8	1	N/A	15.0/15	15.0/15	480	385
LNx-S02-A010-10	S	1 each	1 3/8	1 3/8	2	N/A	15.0/20	15.0/15	760	605
LNx-S02-A013-10	S	1 each	1 5/8	1 5/8	2	N/A	15.0/20	15.0/15	810	670
	D	2 each	1 3/8	1 3/8	2	N/A	15.0/20	15.0/15		
LNx-S02-A015-10	S	1 each	2 1/8	2 1/8	2	N/A	15.0/20	15.0/15	860	755
	D	2 each	1 5/8	1 5/8	2	N/A	15.0/20	15.0/15		
LNx-S03-A020-10	D	2 each	1 5/8	1 5/8	3	N/A	20.0/25	15.0/15	1170	1040
LNx-S03-A023-10	D	2 each	1 5/8	1 5/8	3	N/A	20.0/25	15.0/15	1420	1290

W53 N550 HIGHLAND DRIVE
P.O. BOX 0917
CEDARBURG, WI 53012
PHONE: 262-377-7501
FAX: 262-377-7502
E-MAIL: info@dehumidifiercorp.com

CONDENSER SELECTION GUIDE

DCA MODEL NUMBER	LINE SIZE (O.D.)		PHASE	AMBIENT MODEL		
	SUPPLY	RETURN		95°F	100°F	105°F
DCA 650T / DCA 650TWH						
STANDARD	5/8"	3/8"	1	LORC-1.5	LORC-2	LORC-3
DCA 900T / DCA 900TWH						
STANDARD	5/8"	3/8"	1&3	LORC-3	LORC-3	LORC-4
DCA 1500T / DCA 1500TWH						
STANDARD	3/4"	1/2"	1	LORC-4	LORC-5	LORC-8
STANDARD	3/4"	1/2"	3	LORC-4	LORC-5	LNQ-S01-A005-10
QUIET	3/4"	1/2"	1	LORC-5-850	LORC-5R-850	LORC-8-850
QUIET	3/4"	1/2"	3	N/A	N/A	LNQ-S01-A005-10
DCA 2000T / DCA 2000TWH						
STANDARD	3/4"	1/2"	1	LORC-5	LORC-8	LORC-8
STANDARD	3/4"	1/2"	3	LORC-5	LNQ-S01-A005-10	LNQ-S01-A005-10
QUIET	3/4"	1/2"	1	LORC-5R-850	LORC-8-850	LORC-10-850
QUIET	3/4"	1/2"	3	N/A	LNQ-S01-A005-10	LNQ-S01-A005-10
DCA 2500T / DCA 2500TWH						
STANDARD	7/8"	1/2"	1	LORC-8	LORC-8	LORC-12
STANDARD	7/8"	1/2"	3	LNQ-S01-A005-10	LNQ-S01-A005-10	LNX-S01-A006-10
QUIET	7/8"	1/2"	1	LORC-8-850	LORC-10-850	LORC-12-850
QUIET	7/8"	1/2"	3	LNQ-S01-A005-10	LNQ-S01-A005-10	LNQ-S01-A006-10
DCA 3000T / DCA 3000TWH						
STANDARD	7/8"	1/2"	1	LORC-8	LORC-8	LORC-12
STANDARD	7/8"	1/2"	3	LNQ-S01-A005-10	LNQ-S01-A005-10	LNX-S01-A006-10
QUIET	7/8"	1/2"	1	LORC-8-850	LORC-10-850	LORC-12-850
QUIET	7/8"	1/2"	3	LNQ-S01-A005-10	LNQ-S01-A005-10	LNQ-S01-A006-10
DCA 3300T / DCA 3300TWH						
STANDARD	7/8"	5/8"	1	LORC-8	LORC-10	LORC-14
STANDARD	7/8"	5/8"	3	LNX-S01-A006-10	LNX-S01-A006-10	LNL-S01-A007-10
QUIET	7/8"	5/8"	1	LORC-10-850	LORC-12-850	N/A
QUIET	7/8"	5/8"	3	LNQ-S01-A006-10	LNQ-S01-A006-10	LNX-S01-A008-10
DCA 3500T / DCA 3500TWH						
STANDARD	1 1/8"	5/8"	1	LORC-10	LORC-12	LORC-16
QUIET	1 1/8"	5/8"	1	LORC-12-850	N/A	N/A
DCA 3600T / DCA 3600TWH						
STANDARD	1 1/8"	5/8"	1	LORC-10	LORC-12	LORC-16
STANDARD	1 1/8"	5/8"	3	LNX-S01-A006-10	LNX-S01-A006-10	LNX-S01-A008-10
QUIET	1 1/8"	5/8"	1	LORC-12-850	N/A	N/A
QUIET	1 1/8"	5/8"	3	LNQ-S01-A006-10	LNX-S01-A006-10	LNX-S01-A008-10
DCA 4100T / DCA 4100TWH						
STANDARD	1 1/8"	5/8"	1	LORC-12	LORC-14	LORC-16
STANDARD	1 1/8"	5/8"	3	LNX-S01-A008-10	LNX-S01-A008-10	LNH-S01-A009-10
QUIET	1 1/8"	5/8"	1	N/A	N/A	N/A
QUIET	1 1/8"	5/8"	3	LNX-S01-A008-10	LNX-S01-A008-10	LNX-S02-A010-10

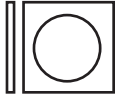
CONDENSER SELECTION GUIDE

DCA MODEL NUMBER	LINE SIZE (O.D.)		PHASE	AMBIENT MODEL		
	SUPPLY	RETURN		95°F	100°F	105°F
DCA 4400T / DCA 4400TWH						
STANDARD	1 1/8"	5/8"	1	LORC-12	LORC-14	LORC-21
QUIET	1 1/8"	5/8"	1	N/A	N/A	N/A
DCA 4800T / DCA 4800TWH						
STANDARD	1 1/8"	3/4"	1	LORC-14	LORC-16	LORC-21
STANDARD	1 1/8"	3/4"	3	LNX-S01-A008-10	LNX-S01-A008-10	LNL-S02-A010-10
QUIET	1 1/8"	3/4"	1	N/A	N/A	N/A
QUIET	1 1/8"	3/4"	3	LNX-S01-A008-10	LNX-S01-A008-10	LNX-S02-A010-10
DCA 5500T / DCA 5500TWH						
STANDARD	1 1/8"	7/8"	1	LORC-14	LORC-21	LORC-23
STANDARD	1 1/8"	7/8"	3	LNX-S01-A008-10	LNL-S02-A010-10	LNX-S02-A013-10
QUIET	1 1/8"	7/8"	1	N/A	N/A	N/A
QUIET	1 1/8"	7/8"	3	LNX-S01-A008-10	LNX-S02-A010-10	LNX-S02-A013-10
DCA 7000T / DCA 7000TWH						
STANDARD	1 3/8"	7/8"	1	LORC-21	LORC-23	N/A
STANDARD	1 3/8"	7/8"	3	LNL-S02-A010-10	LNX-S02-A013-10	LNH-S02-A015-10
QUIET	1 3/8"	7/8"	1	N/A	N/A	N/A
QUIET	1 3/8"	7/8"	3	LNX-S02-A010-10	LNX-S02-A013-10	LNX-S02-A015-10
DCA 8000T						
STANDARD	(2) 1 1/8"	(2) 5/8"	1	LORC-21	LORC-26	N/A
STANDARD	(2) 1 1/8"	(2) 5/8"	3	LNH-S02-A011-10	LNL-S02-A014-10	LNH-S02-A017-10
QUIET	(2) 1 1/8"	(2) 5/8"	1	N/A	N/A	N/A
QUIET	(2) 1 1/8"	(2) 5/8"	3	LNX-S02-A013-10	LNX-S02-A015-10	LNX-S03-A020-10
DCA 9000T						
STANDARD	(2) 1 1/8"	(2) 3/4"	1	LORC-26	N/A	N/A
STANDARD	(2) 1 1/8"	(2) 3/4"	3	LNL-S02-A014-10	LNL-S02-A016-10	LNH-S03-A022-10
QUIET	(2) 1 1/8"	(2) 3/4"	1	N/A	N/A	N/A
QUIET	(2) 1 1/8"	(2) 3/4"	3	LNL-S02-A014-10	LNL-S02-A016-10	LNX-S03-A023-10
DCA 11000T						
STANDARD	(2) 1 1/8"	(2) 7/8"	1	N/A	N/A	N/A
STANDARD	(2) 1 1/8"	(2) 7/8"	3	LNX-S02-A015-10	LNL-S03-A021-10	LNL-S03-A024-10
QUIET	(2) 1 1/8"	(2) 7/8"	1	N/A	N/A	N/A
QUIET	(2) 1 1/8"	(2) 7/8"	3	LNX-S02-A015-10	LNX-S03-A020-10	LNL-S03-A024-10
DCA 14000T						
STANDARD	(2) 1 3/8"	(2) 7/8"	1	N/A	N/A	N/A
STANDARD	(2) 1 3/8"	(2) 7/8"	3	LNL-S03-A021-10	LNL-S03-A024-10	CONTACT FACTORY
QUIET	(2) 1 3/8"	(2) 7/8"	1	N/A	N/A	N/A
QUIET	(2) 1 3/8"	(2) 7/8"	3	LNX-S03-A020-10	LNX-S03-A023-10	CONTACT FACTORY

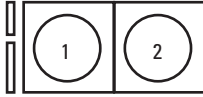
CONDENSER DIMENSIONS

General Fan Layouts

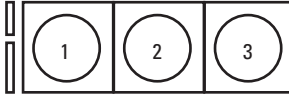
Model LORC 1-8



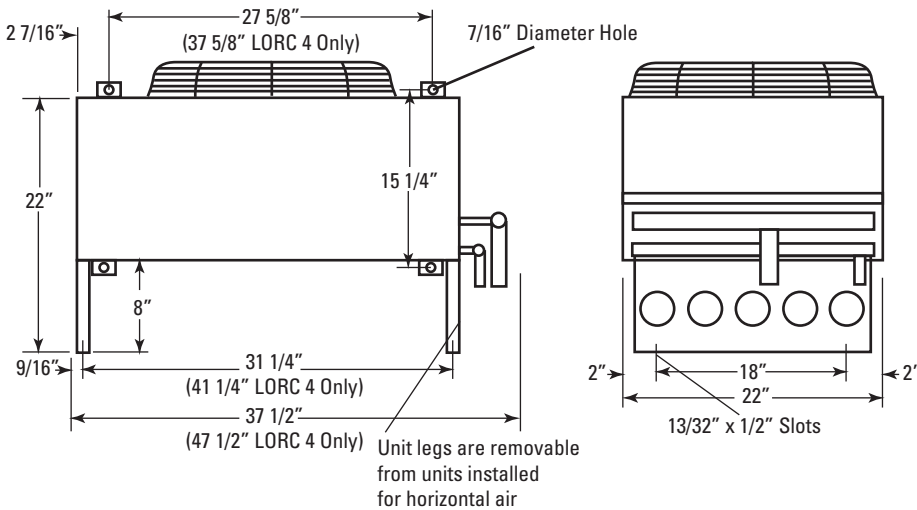
Model LORC 10-16



Model LORC 21-26



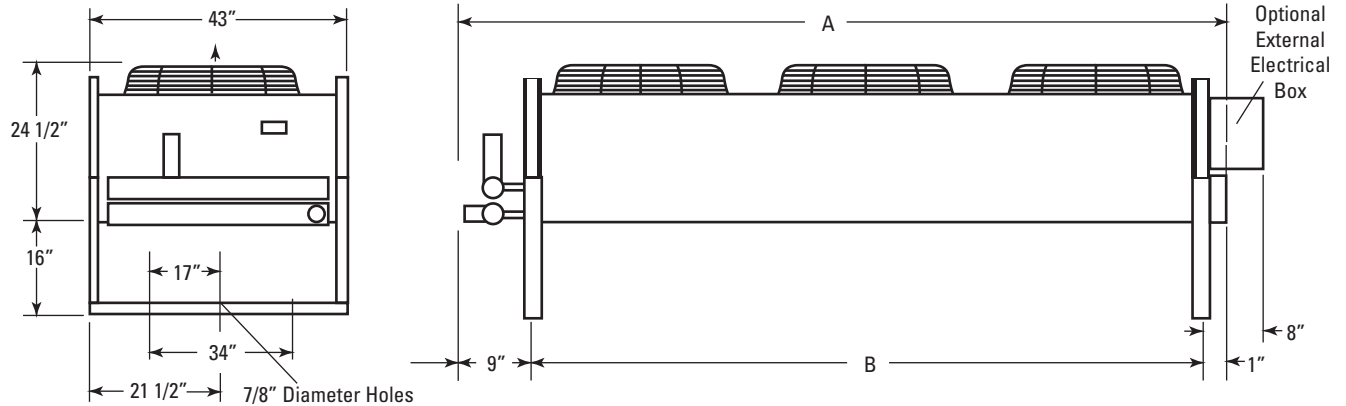
Dimensions for models LORC 1.5 - 4



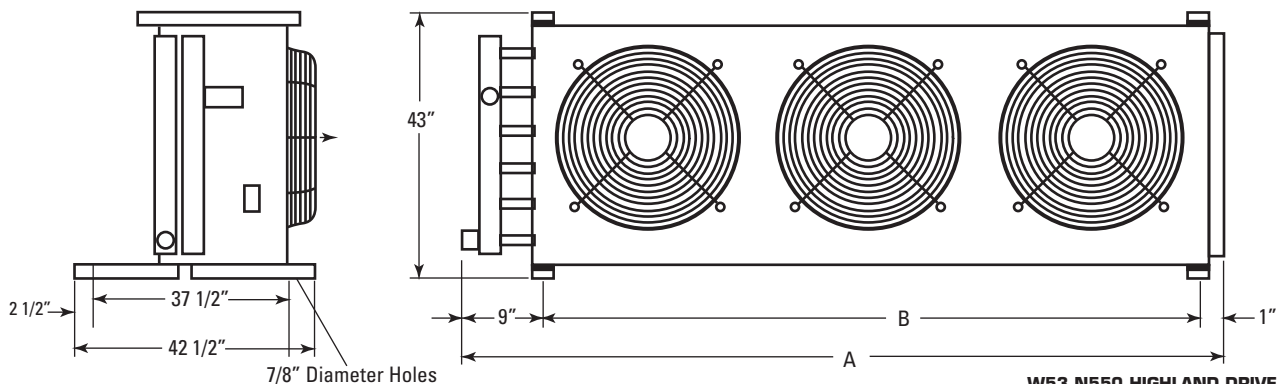
LORC	DIMENSIONS	
	A	B
5	40	30
8	50	40
10	70	60
12	70	60
14	90	80
16	90	80
21	130	120
23	130	120
26	130	120

Electrical junction box is located on header end of units unless optional FAN CYCLING is ordered on 230 and 460 volt, in which case three phase units electrical box is located on unit end opposite header end.

Dimensions for models LORC 5 - 26 Vertical Air Flow



Dimensions for models LORC 5 - 26 Horizontal Air Flow



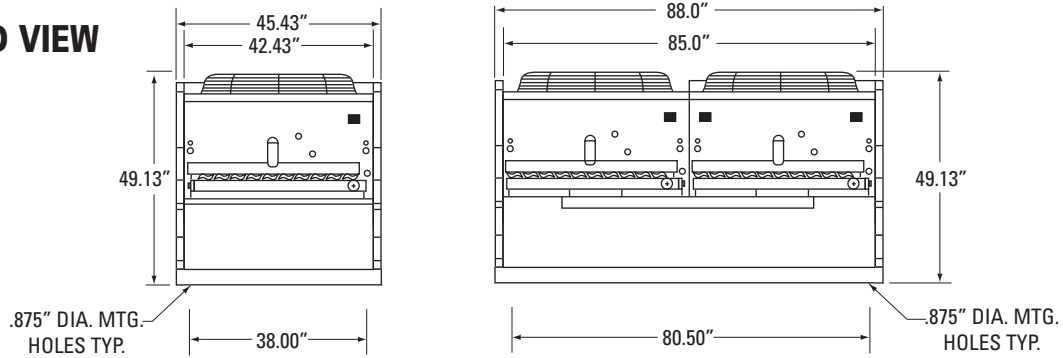
W53 N550 HIGHLAND DRIVE
P.O. BOX 0917
CEDARBURG, WI 53012
PHONE: 262-377-7501
FAX: 262-377-7502
E-MAIL: info@dehumidifiercorp.com

LORC, LNH, LNL, LNQ AND LNX SERIES OUTDOOR AIR-COOLED CONDENSERS

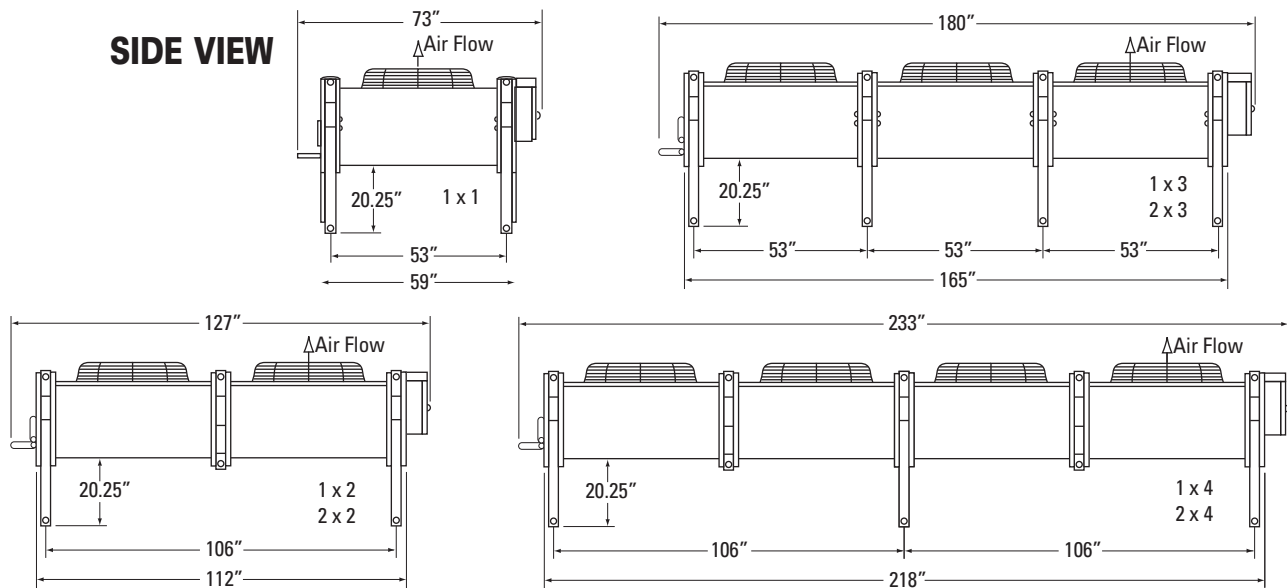
CONDENSER DIMENSIONS CONTINUED

Dimensions for all LNH, LNL, LNQ & LNX models

END VIEW



SIDE VIEW



NOMENCLATURE

