

DCA DEHUMIDIFIER CORPORATION OF AMERICA

VALUE DRIVEN QUALITY, BUILT HERE

R-407C REFRIGERANT SERIES

COMMERCIAL DEHUMIDIFIER OWNER'S MANUAL

**I N S T A L L A T I O N • O P E R A T I O N
M A I N T E N A N C E**

IMPORTANT: This manual contains general information regarding commercial dehumidification. It includes general building construction considerations, dehumidifier installation guidelines and tips that are considered common knowledge in this industry.

It cannot be considered an all-inclusive manual that will cover every aspect of the design and construction in all commercial applications. Contact an architect or building contractor that is familiar with --your specific project.

Specific information for your dehumidifier is on the unit's identification plate and decal located on the dehumidifier cabinet.

Additional information and diagrams can be found on our website:
www.dehumidifiercorp.com

THIS MANUAL MUST BE READ AND UNDERSTOOD BY A QUALIFIED PERSON OR PERSONS BEFORE INSTALLATION

CONTENTS

- Introduction2
- Warranty3,4
- Legend of Typical Installation5
- Location/Mounting6
- Duct Work And Air Distribution Installation & Design7, 8
- Condensate Drain Plumbing Connection9
- Remote Condenser Installation10
- Charging Instructions10
- Electrical Connections, Controls: Location & Mounting11
- Water Flow Requirements For Water Cooling Units12
- Minimum Factory Start-Up Requirements13
- Air Flow Balancing14, 15
- Unit Start-Up Procedure16
(Use this procedure to fill out the Start-up Report and Warranty Registration)
- Maintenance And Service Procedure16
- Operating with Remote Condenser & Operating with Water Heating
Condenser17
- Reheat Mode & Cooling Mode Diagrams18
- Set Point Readjustment & Humidity Set Point Readjustment19
- Temperature Set Point Readjustment20
- Troubleshooting Guide - Owner/User21
- Troubleshooting Guide - Service Technician22-24
- Contact Information25

**Please call DCA with any questions; we will need to know the model
and serial numbers for the dehumidifier and remote condenser**

INTRODUCTION

DCA Series

Congratulations! You have purchased the finest equipment available to control damaging moisture, mold and mildew normally associated with highly saturated ambient and process air.

DCA dehumidifiers are precision engineered products, specifically designed to handle very high dew point air situations on an ongoing basis.

Your DCA dehumidifier has been carefully assembled and tested at our factory by our trained personnel. Only Skilled, Trained and Qualified Personnel may install and service your DCA equipment.

DCA cannot possibly anticipate every possible circumstance that might involve a hazard. The warnings in this manual and on tags and decals affixed to the equipment are, therefore, not all-inclusive. If you use a procedure, work method or operating technique not specifically recommended by DCA, you must satisfy yourself that it is safe for you and others.

While this manual covers all aspects of the dehumidifier operation, your specific application may also include, but is not limited to, other add on components such as duct heaters and optional control packages. Instructions and manuals for these components are not covered in this manual.

CAUTION

Serious injury, property damage and death can result from unqualified personnel installing and servicing this equipment. High pressure refrigerants and high electrical voltage are present.

IMPORTANT

Your DCA dehumidifier is one of several essential components that is necessary in your project for complete environmental control. The following areas must be incorporated in your pool room by you, your contractor, engineer and architect.

- HUMIDITY CONTROL
- DUCT DESIGN
- AIR DISTRIBUTION OVER EXTERIOR GLASS
- VENTILATION
- BUILDING CONSTRUCTION
- ADEQUATE ROOM VAPOR BARRIER
- PROPER WALL & CEILING INSULATION

A dehumidifying system will not provide desired comfort and building protection unless these areas are addressed.

Important information about each of these areas are included in this manual. It is the responsibility of the owner along with the contractor, engineer and architect to ensure that careful consideration be given to all of these areas for environment control.

A DCA dehumidification system can handle all of your moisture removal needs, and in many cases, add room heating and cooling.

Dehumidification is accomplished by moving room air through the dehumidifying coil, lowering the air temperature below its dew point. Moisture will condense on this coil thus removing a large portion of the moisture from the air. The heat recovered by the above mentioned process, known as latent heat, and the electrical consumption of the compressor is delivered by the reheat condenser coil. The air leaving the evaporator coil enters the reheat condenser coil and picks up the available heat and exits the dehumidifier as warm dry air.

With the addition of an optional air cooled remote condenser, a majority of the room cooling can be achieved when needed. If the room temperature should rise above the preset condition, the system will switch from delivering warm dry air to delivering cool dry air automatically.

Proper installation, by qualified personnel, of the dehumidifying system takes careful planning and is very important for achieving desired results. With a seasonally fluctuating load, supplemental heaters must be added to compensate for any heat loss that may be needed to compensate for the lack of heat from dehumidification. The supplemental heat source must be sized to handle the total heating requirements.

UNPACKING & INSPECTION

All DCA Systems are completely factory tested to ensure proper operation before shipment. Check for shipping damage both internal (concealed) and external.

NOTATION MUST BE MADE ON CARRIERS FREIGHT BILL OF LADING TO INSURE PROMPT FREIGHT DAMAGE CLAIMS PROCESSING.

Claims for freight damage or shortages must be filed within 5 days of acceptance of equipment with the delivering freight carrier. All Freight Claims must be resolved with the delivering freight carrier. The factory cannot be of any help after equipment is signed for and delivered.

DCA SERIES HUMIDITY CONTROL SYSTEMS LIMITED PRODUCT WARRANTY

MODELS

DCA 650T • DCA 650TWH • DCA 900T • DCA 900TWH • DCA 1500T • DCA 1500TWH • DCA 2000T • DCA 2000TWH
 DCA 2500T • DCA 2500TWH • DCA 3000T • DCA 3000TWH • DCA 3300T • DCA 3300TWH • DCA 3500T • DCA 3500TWH
 DCA 3600T • DCA 3600TWH • DCA 4100T • DCA 4100TWH • DCA 4400T • DCA 4400TWH • DCA 4800T • DCA 4800TWH
 DCA 5500T • DCA 5500TWH • DCA 7000T • DCA 7000TWH • DCA 8000T • DCA 9000T • DCA 11000T • DCA 14000T

This certificate is our warranty to you. Please ensure that you or your installing dealer understand this warranty. Dehumidifier Corporation of America, Inc. applies this limited warranty on all units of its manufacture to be free from defects in material and workmanship under normal intended use and service when the units remain at the original installation site and are correctly installed and operated according to the printed instructions and in compliance with all local installation and building codes and acceptable trade practices. **This Limited Warranty is void unless, upon start-up of the unit, the "Start-up Report and Warranty Registration" is completed and received at the factory within 30 days of start-up. This will also register the compressor warranty with the compressor manufacturer.**

The company shall, unless specified herein, during the first three years after date of initial installation, replace any part supplied by DCA that fails because of a defect in workmanship or material.

All controls, supplied by DCA, as part of a dehumidification system will carry a one (1) year warranty from date of start up as validated by the return of the start up report returned to DCA no later than 30 days after the start up date.

All freon compressors and all other parts excluding return air filters and blower belts, carry a three year parts warranty. DCA will furnish a replacement compressor, upon a compressor failure, shipped freight collect.

Subsequent compressor replacements, on a no cost basis, will be at the discretion of DCA and will be handled on a case by case basis. Normally, after the second compressor fails within the 3 year warranty period, a problem exists in the installation, maintenance or causes beyond the control of DCA such as and not limited to power fluctuations or lightning strikes. The cause of failure must be determined before any action is taken by DCA.

Refrigeration coils, as part of the DCA dehumidification system, carry a three year warranty. DCA will furnish a replacement refrigeration coil, upon a coil failure, shipped freight collect. Subsequent coil replacements, on a no cost basis, will be at the discretion of DCA and handled on a case by case basis. Normally, after the second coil fails within the 3 year warranty period, a problem exists in the installation, maintenance or causes beyond the control of DCA. Premature coil fin erosion normally signals that chemicals are stored in the mechanical room, with the dehumidifier, or contaminated return air is present and must be corrected before any action is taken by DCA.

The definition of a defective dehumidifier part will be as follows. In the case of a defective part, that falls in the definition of its warranty period, the replacement part will be shipped from the factory promptly with the customer being billed immediately or COD, a valid credit card or an existing open account with DCA. The defective part will be shipped back to the DCA factory with all associated costs being paid by the customer.

Upon return, the defective part will be examined for the cause of the failure. If it is determined that the part was found to be defective in materials or workmanship, DCA will immediately credit the customer back via the same initial method of payment. All associated freight costs will be paid for by the contractor or owner. If DCA has determined that the returned part was subjected to miss use or alteration, the warranty will be denied.

DCA will supply a new or replacement part free. All in-warranty replacement parts will be warranted for the unused portion of that component's warranty as established herein. Freight charges on warranty replacements are the responsibility of the owner. Any charges associated with labor, material, refrigerant or any other charges with the repair will be the responsibility of the owner.

There is no warranty for any of the following:

(1) Alteration, misuse, negligence, accident, floods, or Acts of God. (2) If the operation of the unit is contrary to the company or manufacturer's recommendation or (3) if any unit has been altered or repaired by improper matching of the unit or units components in any way outside of the factory, so as to affect its stability or performance in our judgement. (4) Any damages caused by failing to provide maintenance and service to the unit. (5) Any Labor cost incurred in diagnosing, erecting, taking down or disconnecting, or any damage or repairs required as a result of faulty installation or replacing any parts or any parts used in connection with normal maintenance, such as filters or belts. (6) Fuel or electricity costs or any increase in electricity of fuel costs whatsoever including any additional or unusual use of supplemental heat. (7) Actions or negligence of the installer or servicer of the unit that result in losses or damage of any kind including those due to inadequate: (A) Sizing of the unit to the area. (B) Air Distribution. (C) Duct Work and (D) Poorly insulated or loosely constructed rooms. (E) Excessive glass or skylights on outside cold walls. (F) Excessive infiltration. (G) Power supply. (H) Others.

THIS WARRANTY DOES NOT INCLUDE SERVICE OR LABOR CHARGES CONNECTED WITH THE DETERMINATION OR REPLACEMENT OF DEFECTIVE PARTS. ALL LABOR CHARGES ARE THE RESPONSIBILITY OF THE INSTALLING CONTRACTOR FOR THE LENGTH OF HIS WARRANTY, IF ANY, AND THEREAFTER THE OWNER.

Sheet metal and expendable supplies such as refrigerants, solder, fluxes, disposal fees and repairable coils are not included as part of this warranty. Buyer's sole and exclusive remedy with respect to the product are provided in this warranty and the expressed warranties contained herein are in lieu of all other warranties.

IMPLIED WARRANTIES INCLUDING WARRANTIES OF MERCHANTABILITY OR FITNESS FOR A PARTICULAR USE OR PURPOSE, SHALL ONLY LAST FOR ONE YEAR AFTER DATE OF ORIGINAL INSTALLATION.

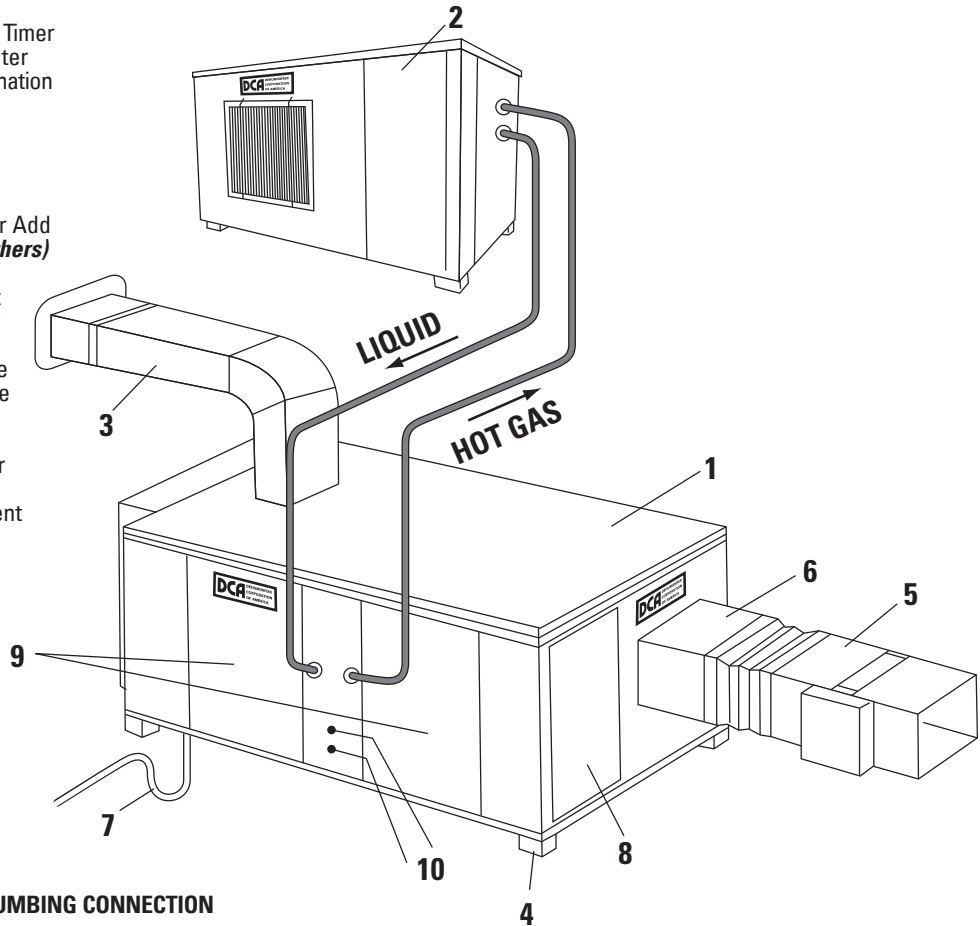
Buyer assumes all other liability for any loss, damage or injury to persons or property, arising out of, connected with or resulting from the use of the Company's Products, either alone or in combination with other products. In no event shall the company be liable for any other damages, either direct, incidental, consequential, or otherwise. Some states do not allow limitations on how long an implied warranty lasts or the exclusions of consequential or incidental damages, so the above limitations and exclusions may not apply. This warranty gives you specific legal rights and you also may have other rights which vary from state to state.

ALL CLAIMS RELATING TO OR ARISING OUT OF THE OPERATION OF THIS PRODUCT ARE SUBJECT TO BINDING ARBITRATION UNDER THE AUSPICES AND RULES OF THE AMERICAN ARBITRATION ASSOCIATION.

LEGEND

1. DCA Air Cooled Dehumidifier
2. Optional Remote Condenser (A/C) (page 10)
 - A. Air Cooled Model Shown
 - B. Water Cooled Model Available
 - C. Cooling Tower Loop Available
3. Make-up Air Assembly (*By Others*)
 - A. Air Filter
 - B. Damper Control and Timer
 - C. Outside Air Pre-Heater
 - D. Bird Screen & Termination
4. Mounting feet and vibration isolators by others. (page 6)
5. Electric/Gas/Hot Water Add On Duct Heater (*By Others*)
6. Vibration Isolator Duct Connector (*By Others*)
7. P-Trap and Condensate Return (*By Others*) (See explanation)
8. Electrical Access Door
9. Dehumidifier Component Access Doors
10. To water source.

Note: This is a generic drawing. Location of piping and components may vary from unit to unit.



CONDENSATE DRAIN/PLUMBING CONNECTION

Check all local codes and bylaws for approved methods of condensate water disposal. If codes permit, schedule 40 PVC pipe is recommended for drainage pipe. Slope the condensate drain line with a minimum of 1/4 inch per foot. A P-trap is recommended and to be filled with water to prevent air from entering the unit to assure proper drainage of the condensate.

A condensate pump is required (field supplied) at installations where the unit is located below the drain access. If a pump is used it must have sufficient pump head to overcome vertical lift and water pressure if pumped into a pressurized pipeline. When connecting to a pressurized pipeline a check valve and solenoid should be used. Do not connect the condensate drain to a pipe with negative pressure.

LOCATION AND MOUNTING

Unless authorized by DCA all units must be installed in equipment rooms and areas that do not fall below 45° F.

Considerations must be made for service access, electrical requirements, duct work and filter access on all units.

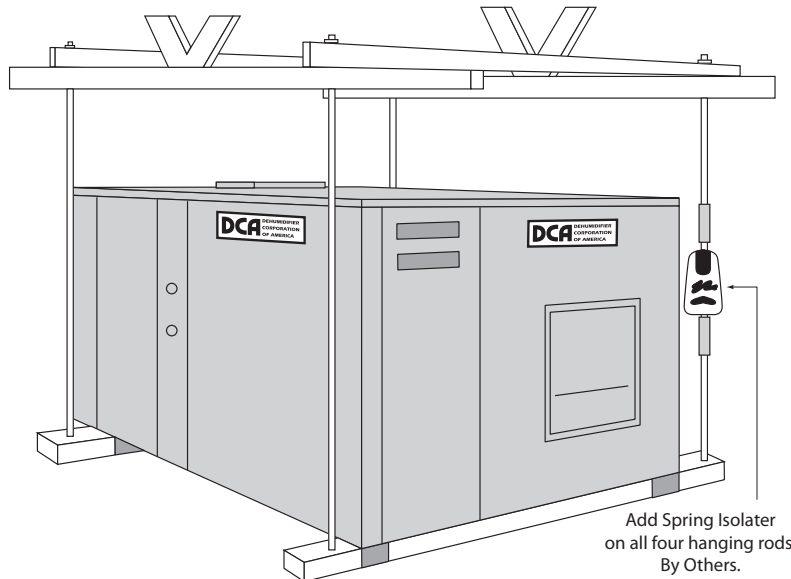
It is extremely important that, if the dehumidifier is suspended, the ceiling structure and hanging apparatus be of sufficient capability to adequately support the weight of the dehumidifier. Check dehumidifier weight to make determination. Secondary drain pan, under dehumidifier, is required and supplied by others.

NOTE:

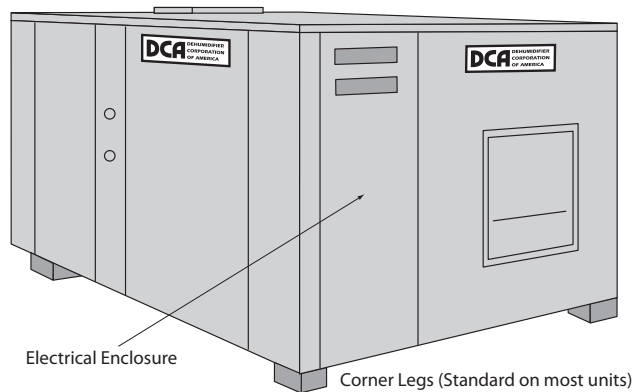
CLEARANCE OF 18" TO 24" IS RECOMMENDED ON TOP, BOTTOM AND ALL SIDES FOR SERVICE OF COMPONENTS SUCH AS FILTERS, MOTORS, BELTS AND REFRIGERATION COMPONENTS. ADDITIONAL CLEARANCE MUST BE ALLOWED FOR THE ELECTRICAL ENCLOSURE AS SPECIFIED BY NEC AND LOCAL CODES.

Units may be field installed by suspending them from ceilings or placing them on mounting platforms made of materials of sufficient strength to prevent vibrations and sound resonance.

Install sound and vibration eliminators such as anti-vibration pads, canvas duct connectors (field supplied) or other approved methods to isolate the unit from the supportive structure and ductwork. (See figure at right).



Typical Ceiling Suspended Installation



Typical Floor Installation

Any dehumidifier that is installed outdoors must be ordered with the optional outdoor installation construction package.

DUCT WORK AND AIR DISTRIBUTION

Proper air distribution is important to prevent condensation and maximize performance. The quantity of supply air and the velocity of air from the air distribution system should be of sufficient volume to cover all areas of exterior glass, *(of present) with warm, dry air. This is the only remedy to keep exterior glass and skylights from moisture and condensation build-up.

IMPORTANT

ALL DUCT DESIGN AND CONSTRUCTION MUST CONFORM WITH THE LATEST **ASHRAE** AND **SMACNA** LOW VELOCITY DUCT STANDARDS
SEE DUCT DESIGN SECTION

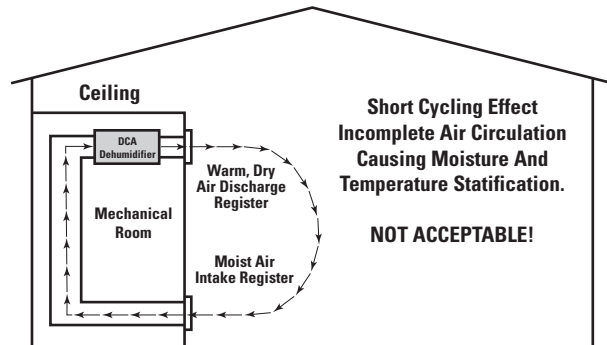
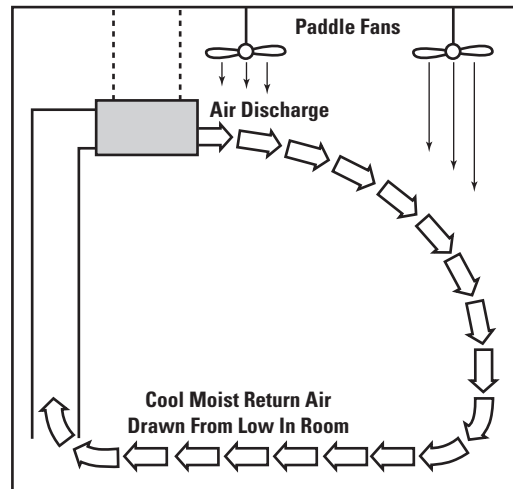
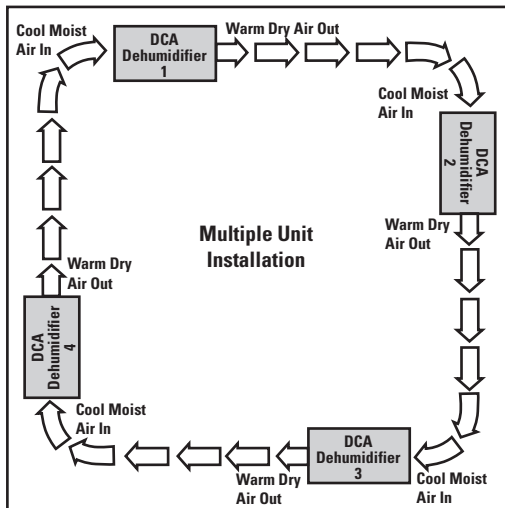
Refer to DCA manual for air volumes and static pressure specifications of the units. Special attention should be given to the following areas to achieve desired results.

1. Return air inlet should be located low in the room to prevent air stratification. **Make sure that supply air does not short cycle back to the return inlet.**
2. The recommended duct materials are standard galvanized sheet metal, aluminum or PVC pipe. All elbows should be of low restriction. Ductwork must be insulated on the outside if located in areas that are unconditioned to prevent condensation and heat loss. Use flexible duct connectors to attach ductwork to the DCA unit to eliminate any vibrations.

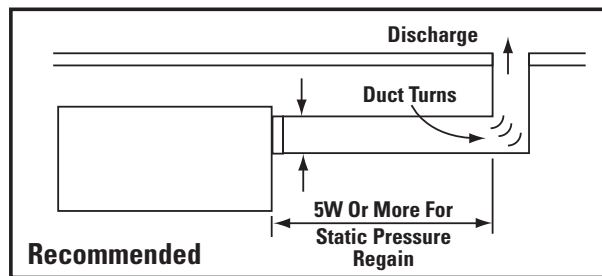
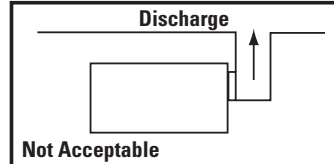
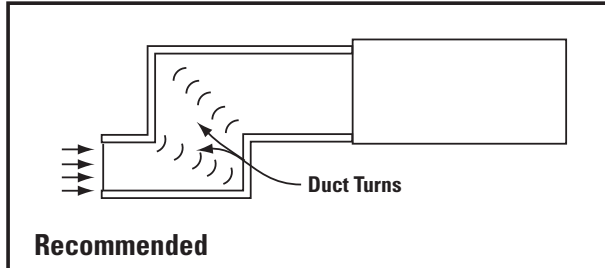
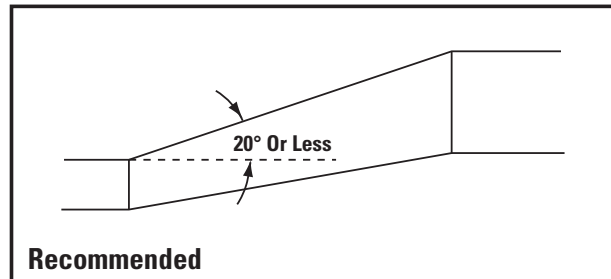
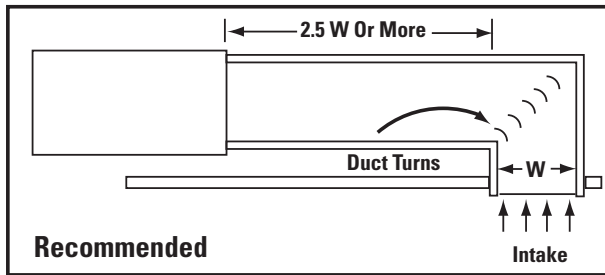
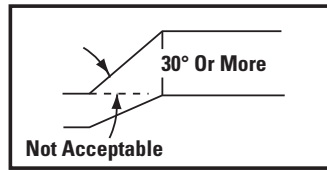
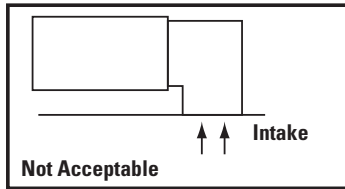
3. Ceiling fans can be used, local codes permitting, to insure more complete air circulation. Make sure that air is directed upward to avoid drafts that can result in increased water evaporated.

IMPORTANT

POOR DUCT DESIGN AND INSTALLATION WILL RESULT IN UNEVEN AIR DISTRIBUTION, POOR OPERATING PERFORMANCE, REDUCED MOISTURE REMOVAL, MOISTURE FORMATION ON EXTERIOR GLASS AND SKYLIGHTS AND INCREASED OPERATING COSTS.



SMACNA DUCT DESIGNS



All duct work shall meet ASHRAE and SMACNA design standards.

**CONDENSATE DRAIN/
PLUMBING CONNECTION**

Check all local codes and by-laws for approved methods of condensate water disposal.

If codes permit, schedule 40 PVC pipe is recommended for drainage pipe. Slope the condensate drain line with a minimum of 1/4 inch per foot. A P-trap is recommended and filled with water to prevent air from entering the unit to assure proper drainage of the condensate.

A condensate pump is required (field supplied) at installations where the unit is located below the drain. If a pump is used it must have sufficient pump head to overcome vertical lift and water pressure if pumped into a pressurized pipeline. When connecting to a pressurized pipeline a check valve and solenoid should be used. Do not connect the condensate drain to a pipe with negative pressure. When the dehumidifier is installed outdoors, the drain line must be heat taped and insulated to avoid freezing.

Refer to the illustration on page 5.

THE DCA DEHUMIDIFIER IS A FLOODING HEAD PRESSURE CONTROLLED SYSTEM

It comes complete with all that is necessary for remote condenser operation pre-installed and tested i.e. liquid receiver, 3-way valve etc. Refer to the decal on the dehumidifier for the amount of additional refrigerant R407C to be weighed in, when a corresponding remote condenser is added. Refrigerant lines (field supplied) should not exceed 50- feet in length. Contact DCA when longer lengths are needed.

Provide at least 5 feet of clearance in front of and top of unit for proper unit operation.

IMPORTANT

The outdoor remote condenser must be installed above or at the same level as the dehumidifier. When installing the remote condenser below the dehumidifier more than eight feet, the factory must be consulted.

Hot gas and liquid line sizes that are stated on the unit and in the installation manual must be adhered to. The length of run of these lines must be 50 feet or less. Contact factory for runs over 50 feet.

ATTENTION INSTALLERS

Only trained, qualified personnel should install or service DCA equipment. Serious injury, death and property damage can result from improper installation/service of this equipment. High voltage electrical components and refrigerant under pressure are present.

REFRIGERANT PIPING OF REMOTE CONDENSER

Refrigerant piping (supplied by others) must be dehydrated copper. Standard refrigerant practices must be used when a remote condenser is installed. Both outgoing and incoming refrigerant lines must be insulated inside of the building. Hot gas lines shall have traps installed every 20 feet of vertical lift. The remote condenser is shipped with a nitrogen holding charge. Remove this charge at the access ports provided before attempting to evacuate the system. Refer to the chart to determine the correct remote condenser line size required.

Service valves on the main unit are located in the blower

| DEHUMIDIFIER MODEL# | PIPE SIZE | |
|------------------------|-----------|---------|
| | SUPPLY | RETURN |
| DCA 650T | 5/8" OD | 3/8" OD |
| DCA 900T | 5/8" OD | 3/8" OD |
| DCA 1500T | 3/4" OD | 1/2" OD |
| DCA 2000T | 3/4" OD | 1/2" OD |
| DCA 2500T | 7/8" OD | 1/2" OD |
| DCA 3000T | 7/8" OD | 1/2" OD |
| DCA 3300T | 7/8" OD | 5/8" OD |
| DCA 3500T | 1 1/8" OD | 5/8" OD |
| DCA 3600T | 1 1/8" OD | 5/8" OD |
| DCA 4100T | 1 1/8" OD | 5/8" OD |
| DCA 4400T | 1 1/8" OD | 5/8" OD |
| DCA 4800T | 1 1/8" OD | 3/4" OD |
| DCA 5500T | 1 1/8" OD | 7/8" OD |

| | | |
|----------------|-----------|---------|
| DCA 7000T | 1 3/8" OD | 7/8" OD |
| DCA 8000T – A | 1 1/8" OD | 5/8" OD |
| – B | 1 1/8" OD | 5/8" OD |
| DCA 9000T – A | 1 1/8" OD | 3/4" OD |
| – B | 1 1/8" OD | 3/4" OD |
| DCA 11000T – A | 1 1/8" OD | 7/8" OD |
| – B | 1 1/8" OD | 7/8" OD |
| DCA 14000T – A | 1 3/8" OD | 7/8" OD |
| – B | 1 3/8" OD | 7/8" OD |

compartment. Keep these service valves closed (front seated) during all soldering, evacuation and refrigerant charging.

When installing the line set, make sure that all solder joints are clean, oil free and absent of any foreign material. Insert the line into the valve until the line bottoms out in the valve. Complete the soldering process. Pressurize the line set with an inert gas to determine if any leaks are present. Repair the leaks, if any, and evacuate the line set and remote condenser down to 500 microns. Once the evacuation procedure has been completed, pressurize the system with one pound of liquid R-407C, wait 5 minutes and then check with an electronic leak detector.

CHARGING INSTRUCTIONS

Because R-407C is a zeotropic refrigerant, it must be added in the liquid state. Because DCA dehumidifiers are critical charge systems, the refrigerant must be weighed in. Therefore, charging this dehumidifier and its remote condenser must always be accomplished by weighing in the charge as a liquid. **Vapor charging cannot be utilized.** With the dehumidifier off, add the refrigerant into the liquid receiver inside of the dehumidifier or at the remote condenser. The receiver is equipped with rotolock valves. Do not add refrigerant into the suction port on the unit. This could cause the compressor to slug and **void the warranty.**

The remote condenser coil must be kept clean from any grass clippings, leaves, dirt, etc. Failure to keep the coil clean will result in poor unit performance and high operating costs. Do not cover the remote condenser during cold months. Proper dehumidification requires year-round operation of the remote condenser.

Charge with dehumidifier OFF

Add to liquid receiver

ELECTRICAL CONNECTIONS

The DCA unit is factory pre-wired. Field wiring is limited to the power wire and the installation of wiring for 24V controls.

Provide and install a main disconnect switch within close vicinity of the dehumidifier. Refer to the unit nameplate for electrical information specific to your unit. All wiring and main disconnect switch should be provided in accordance with all local, state and national electric codes (N.E.C.).

IMPORTANT

Make sure the DCA unit is properly grounded with the correct gauge of wire via the ground lug terminal located in the control panel. Failure to properly ground the unit will void all warranties. Supply voltage must not vary more than 10% from the nameplate voltage while the unit is operating.

| MODEL | VOLTS | PHASE | MAXIMUM FUSE SIZE | MINIMUM AMPACITY |
|-------------------|---------|-------|-------------------|------------------|
| DCA 650T/650TWH | 208/230 | 1 | 25 amp | 17.1 |
| DCA 900T/900TWH | 208/230 | 1 | 30 amp | 21.1 |
| | 208/230 | 3 | 17.5 amp | 13 |
| | 460V | 3 | 10 amp | 7.1 |
| DCA 1500T/1500TWH | 208/230 | 1 | 40 amp | 30.2 |
| | 208/230 | 3 | 25 amp | 20.7 |
| | 460V | 3 | 12 amp | 9.9 |
| | 575V | 3 | 10 amp | 8.1 |
| DCA 2000T/2000TWH | 208/230 | 1 | 45 amp | 34.1 |
| | 208/230 | 3 | 30 amp | 24.9 |
| | 460V | 3 | 17.5 amp | 12.2 |
| | 575V | 3 | 12 amp | 8.8 |
| DCA 2500T/2500TWH | 208/230 | 1 | 60 amp | 45.2 |
| | 208/230 | 3 | 40 amp | 29.8 |
| | 460V | 3 | 20 amp | 14.6 |
| | 575V | 3 | 15 amp | 11.7 |
| DCA 3000T/3000TWH | 208/230 | 1 | 60 amp | 45.2 |
| | 208/230 | 3 | 40 amp | 29.8 |
| | 460V | 3 | 20 amp | 14.6 |
| | 575V | 3 | 15 amp | 11.7 |
| DCA 3300T/3300TWH | 208/230 | 3 | 60 amp | 39.9 |
| | 460V | 3 | 30 amp | 19.9 |
| | 575V | 3 | 20 amp | 15.8 |
| DCA 3500T/3500TWH | 208/230 | 1 | 70 amp | 56.6 |
| DCA 3600T/3600TWH | 208/230 | 3 | 60 amp | 43.9 |
| | 460V | 3 | 30 amp | 22.3 |
| | 575V | 3 | 25 amp | 16.6 |
| DCA 4100T/4100TWH | 208/230 | 3 | 60 amp | 45.5 |
| | 460V | 3 | 30 amp | 23.3 |
| | 575V | 3 | 25 amp | 18.2 |
| DCA 4400T/4400TWH | 208/230 | 1 | 90 amp | 76.7 |
| DCA 4800T/4800TWH | 208/230 | 3 | 75 amp | 57 |
| | 460V | 3 | 35 amp | 26.4 |
| | 575V | 3 | 25 amp | 19.5 |
| DCA 5500T/5500TWH | 208/230 | 3 | 90 amp | 68.4 |
| | 460V | 3 | 40 amp | 30.6 |
| | 575V | 3 | 30 amp | 23.7 |
| DCA 7000T/7000TWH | 208/230 | 3 | 110 amp | 82.8 |
| | 460V | 3 | 60 amp | 42.6 |

| | | | | |
|------------|---------|---|---------|-------|
| DCA 8000T | 575V | 3 | 45 amp | 33.9 |
| | 208/230 | 3 | 100 amp | 83.7 |
| | 460V | 3 | 50 amp | 42.4 |
| DCA 9000T | 575V | 3 | 40 amp | 33.3 |
| | 208/230 | 3 | 125 amp | 106.3 |
| | 460V | 3 | 60 amp | 49.3 |
| DCA 11000T | 575V | 3 | 45 amp | 37 |
| | 208/230 | 3 | 150 amp | 117.8 |
| | 460V | 3 | 70 amp | 52.5 |
| DCA 14000T | 575V | 3 | 50 amp | 41.1 |
| | 208/230 | 3 | 175 amp | 150.2 |
| | 460V | 3 | 100 amp | 77.1 |
| | 575V | 3 | 75 amp | 61.1 |

Chart A Fuse & Ampacity Rating

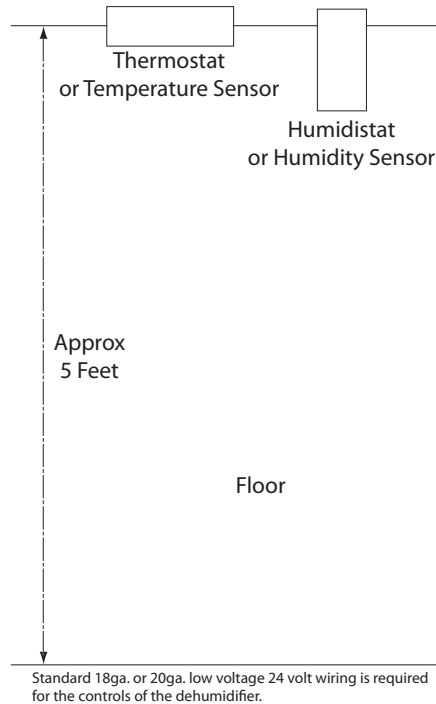
The control wiring should be done according to the wiring diagram provided with the unit. The DCA control circuit operates at 24V.

CONTROLS, LOCATION & MOUNTING

Locate the controls in an area of natural room air circulation, usually near the return air inlet. Avoid areas of hot spots from warm air ducts, radiators or exposure to sunlight or direct room lighting. Avoid mounting the controls on cold outside masonry walls, near doors, windows or air conditioning and heating outlets.

Do not locate the controls in a room that is not being conditioned by the dehumidification system, unless the system has remote sensors (optional).

Controls should be mounted 5 feet from floor level on an interior wall. All controls must be level.



Call DCA with any questions; we will need the unit model and serial numbers.

WATER FLOW REQUIREMENTS FOR WATER COOLED UNITS

| DCA MODEL # | Pipe Sizes | GPM @ 25°F Diff. | Pipe Pressure Drop ft. H ₂ O |
|-------------|------------|------------------|---|
| DCA 650TWH | .625 | 2.5 | 2.8 |
| DCA 900TWH | .75 | 4.5 | 8.4 |
| DCA 1500TWH | .875 | 6 | 5.3 |
| DCA 2000TWH | 1.125 | 9 | 9.3 |
| DCA 2500TWH | 1.125 | 10 | 7 |
| DCA 3000TWH | 1.125 | 10 | 7 |
| DCA 3300TWH | 1.125 | 15 | 8.2 |
| DCA 3500TWH | 1.375 | 16 | 9 |
| DCA 3600TWH | 1.375 | 17 | 10 |
| DCA 4100TWH | 1.375 | 17 | 6.7 |
| DCA 4400TWH | 1.375 | 20 | 7.2 |
| DCA 4800TWH | 1.375 | 23 | 8.6 |
| DCA 5500TWH | 1.625 | 24 | 10.7 |
| DCA 7000TWH | 1.625 | 34 | 11.3 |
| DCA 8000T | 1.125 | 17 each | 6.7 each |
| DCA 9000T | 1.375 | 23 each | 8.6 each |
| DCA 11000T | 1.625 | 24 each | 10.7 each |
| DCA 14000T | 1.625 | 34 each | 11.3 each |

MINIMUM REQUIREMENTS FOR STARTUP

The following items are required and must be completed before startup can be performed.

1. All installations and wiring diagrams must be studied and understood before proceeding with the installation. If there are any questions, contact the factory.
2. All wiring must be completed. This includes the main power, controls and sensors. Check and confirm that all wiring connections in the dehumidifier and remote condenser are tight.
3. All refrigeration and/or water piping must be completed.
4. All additional refrigerant R-407C required per instructions must be added.
5. Proper water flow, when required, must be established.
6. Duct work, including duct, grills and diffusers must be completed.
7. All electrical connections re-tightened.
8. A thorough leak check should be performed. Due to the fact that the unit may be damaged while in transit, we recommend that all field and factory connections be leak checked.

Tools Needed:

1. Manifold set/or sets for pressure readings.
2. Air flow meter/s. Magnehelics in the ranges of 0 to 1.0 in. w. c. or 0 to 2.0 in. w. c.
3. Volt-Ohm-Amp meter/s.
4. Temperature meters with probes, strap on bulbs and a sling psychrometer.
5. Assorted refrigeration and standard tools.
6. See page 16 for start-up directions.

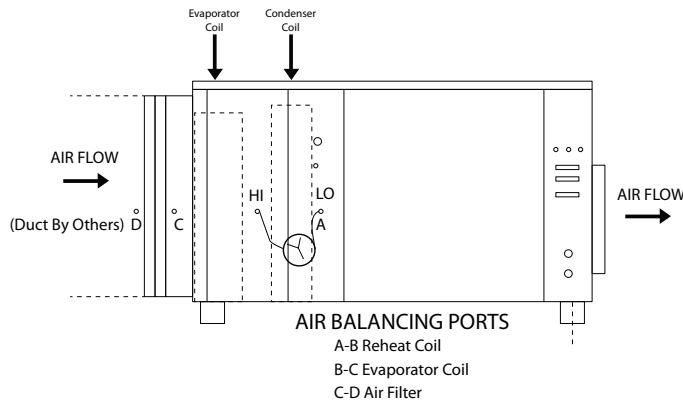
AIR FLOW BALANCING

All standard DCA units are shipped from the factory with the airflow set at the standard CFM for your particular model and .5 WC external static pressure E.S.P. Refer to DCA specification sheet for more information.

Use an incline manometer, a digital manometer, or a pressure differential gauge such as Magnahelic[®], to verify that the unit will deliver adequate CFM and E.S.P. as it is installed. The access doors and clean air filters must be in place at all times the blower is running.

CHART A

Shows the location of the air balancing access ports and where to insert the HI and LO pressure tubes of the manometer or gauge. Measure the pressure differential across the reheat condenser coil to verify air flow.



This is best accomplished with a Magnahelic[®] having a 1 or 2 inch range and inserting measuring tubes 6 to 8 inches into the ports.

CHART B

Shows the static pressure drop across the reheat condenser coil at standard CFM for each DCA model.

Chart B

| UNIT | STANDARD CFM | STATIC PRESSURE DROP (INCHES W.C.) |
|------------|--------------|------------------------------------|
| DCA 650T | 650 | |
| DCA 900T | 950 | |
| DCA 1500T | 1500 | |
| DCA 2000T | 2000 | |
| DCA 2500T | 2500 | |
| DCA 3000T | 3000 | |
| DCA 3300T | 3300 | |
| DCA 3500T | 3500 | |
| DCA 3600T | 3600 | SEE LABEL ON UNIT |
| DCA 4100T | 4100 | |
| DCA 4400T | 4400 | |
| DCA 4800T | 4800 | |
| DCA 5500T | 5500 | |
| DCA 7000T | 7000 | |
| DCA 8000T | 8000 | |
| DCA 9000T | 9000 | |
| DCA 11000T | 11000 | |
| DCA 14000T | 14000 | |

If the pressure differential reading differs from the chart, the following steps should be taken:

1. PRESSURE LOWER THAN CHART

- A. Check for restrictions in duct work such as closed registers, blocked return air grills or dampers in duct work not adjusted properly.
- B. Check the filters to verify that they are clean.
- C. Check belt tension. The belt should have approximately 1" of play up or down. Replace any worn or frayed belt or worn pulleys.
- D. If the duct work is free of obstructions, the adjustable motor pulley should be closed until correct pressure reading is achieved.

2. PRESSURE HIGHER THAN CHART

- A. The unit does not have duct work or dampers in duct work not adjusted properly.
- B. Air filters are not in the unit.
- C. To reduce the air flow pressure, open the adjustable motor pulley and reset the belt tension to 1" play up or down until the correct pressure reading is achieved.
- D. In a no duct work installation (Free blow) a 4 foot duct extension must be installed on supply outlet of unit. Adjust motor pulley following the instructions above.

NON DUCTED INSTALLATIONS

When the installation of duct work is not possible, the unit must be positioned in such a manner that return air into the unit is not obstructed and sufficient air can enter the unit. Locate the unit as high as possible, while remaining accessible for normal maintenance and service.

Direct air from supply of unit toward exterior glass, skylights and walls. Short cycling of air or loop effect will give poor performance. Position for optimum air circulation for best results.

UNIT OPERATION

ATTENTION INSTALLERS / OPERATORS

Main power to the unit crankcase heater must be on for 12 hours before the unit is started. Under no circumstances should the unit be run for temporary heat when building construction is in progress or when there is no water in the pool.

HUMIDISTAT

This control turns the unit on or off when the humidity in the room rises above or falls below the set point of the control.

The control is factory set and covers a humidity range of 20% to 80%.

AUTOMATIC CHANGEVER THERMOSTAT

Other control systems may be provided. The following explains a standard snap action humidistat and auto change over thermostat. See additional instructions for other control systems available, not in this manual.

This control maintains the temperature in the room. Set thermostat to predetermined temperature. The thermostat is an automatic change over type which will automatically switch to air conditioning (with remote condenser option) or heating. This thermostat provides the following operating options.

SYSTEM SWITCH

HEAT - In this position, warm air will be supplied to the pool room. The unit will start on a call from either the humidistat or the thermometer. If the unit is not connected to a remote condenser, the system switch must be in the heat position.

COOL - This position must not be used. See auto position.

AUTO - This position allows the unit to run and supply either warm air or cool air to the room. The unit will run in the cooling cycle if temperature rises above set point or in the heating cycle if temperature drops below set point.

OFF - This position disengages the unit regardless of temperature or humidity.

IN NO CIRCUMSTANCE SHOULD THE MECHANICAL ROOM OR THE ROOM HOUSING THE DEHUMIDIFIER SERVE AS A RETURN AIR PLENUM TO THE DEHUMIDIFIER. ALL RETURN AIR DUCTWORK MUST BE FIRMLY ATTACHED TO THE DEHUMIDIFIER. THIS IS ESPECIALLY TRUE IF THE MECHANICAL ROOM HOUSES ANY FOSSIL FUEL BURNING APPLIANCE SUCH AS A GAS OR OIL POOL OR SPA WATER HEATER OR POOL ROOM SPACE HEATER.

DEATH CAN RESULT

Pre Start-Up Questions:

- Have the unit and associated equipment been inspected for internal shipping damage?
- Has it been thoroughly leak-checked?
- Have all electrical connections in the dehumidifier and remote condenser electric box been checked for tightness?
- Have you read the owner's manual and other supplied literature?
- Are the start-up/servicing personnel familiar with the unit?
- Has the unit ever been run?
- If not, has the crankcase heater been on for 12 hours?
- If the unit has been run:
 - Check the filters, belts and coils for debris
- Is other equipment connected
- Is other equipment connected to the unit?
 - Remote condenser
 - Duct heater or other heating equipment
 - Fresh air unit
 - Water piping and pumps
- If so:
 - By whom was it manufactured?
 - Was the remote condenser leak checked and charged properly?
 - Is the heater wired to a pilot relay or motorized valve?
 - Whose thermostat and humidistat are controlling the equipment?
 - Will air be blowing on or near the controls and sensors?
- Have the jumper wires on the schematic been checked?
- Do you have...
 - Jumper wires?
 - Manifold gauge?
 - Magnahelic or other pressure differential gauge for less than 1" differential measurements?
 - Ammeter?
 - Volt/Ohm meter?
 - Thermometers?

Start Up Procedure:

Leave the valves to the remote condenser (if any) closed until later.

Check the pressure in the system. (Ports are on the outside of the unit near the control panel; compare this reading to a temperature/pressure chart.)

Ensure that all panels are on the unit.

Record the relative humidity in the controlled space.

Disable the controls.

Set back the compressor time delay/s.

Apply a jumper (if necessary) for blower operation and start the blower.

Check:

- The blower rotation. (3 phase only)
- The air flow across the reheat condenser: Air balancing ports A (Lo) and B (Hi).
- The transformer primary voltage.
- The transformer secondary voltage.
- The blower contactor input voltage.
- The blower contactor output voltage.
- The blower motor running amperage.
- The blower motor amperage on the nameplate.

Turn the unit off and use a jumper to start in the dehumidification (reheat) mode.

Start the unit and let it run a minimum of 10 minutes.

Check:

- Supply air temperature
- Return air temperature
- Discharge pressure
- Suction pressure
- Compressor contactor input voltage
- Compressor contactor output voltage
- Compressor running amperage
- Compressor nameplate amperage

Be sure to record your measurements on the Start-Up form.

Is the sight glass clear? (It is located inside the dehumidifier, near the TXV.)

Turn off the unit.

Open the valves to the remote condenser. (If any)

Move the jumper to the air-conditioning mode.

Turn the unit on.

Check that the remote condenser fan is operating in the correct rotation.

Record the outdoor air temperature and humidity.

Wait at least 10 minutes; then check the refrigerant pressures and amperage draws in this mode, as well as the entering and leaving air temperatures.

Repeat the process for the water cooling a/c mode if so equipped.

Check that the auxiliary heaters operate (If any).

Turn off the power.

Remove the jumper and re-attach the controls.

Check that all modes operate properly using the controls.

Return the time delay/s to their normal settings.

Maintenance and Service Procedure

Your DCA dehumidifier requires minimal maintenance. The following areas should be checked as required:

1. Air filters should be checked once per month. Dirty filters should be replaced immediately, and should be available locally. Dirty or clogged filters will seriously affect the performance of the unit.
2. Check the blower belt once every six months. Turn off the power supply before inspecting the belt. If the belt is worn or frayed, replace it with a new one of the same size and rating. Be certain to restore the power upon completion.
3. The blower motor and blower have permanently lubricated bearings that do not require any additional lubrication.
4. Check the drain pan every six months and clean out any residue that may have accumulated.
5. The coils should be inspected annually for dirt build-up and cleaned if necessary.
6. All electrical connections should be re-tightened every six months. The power to the dehumidifier and all associated equipment must be off during this procedure.

Caution

In the event of a unit malfunction, only qualified service technicians should perform repairs to the unit. The unit contains high current electrical circuits and high pressure refrigerants which could result in death.

Modes of Operation Non-Water Cooled

GENERAL

There are two basic modes of Operation: Dehumidification (known as reheat) and Cooling. In the reheat mode all of the latent heat converted into sensible heat is returned to the air stream, just as it is in a residential basement dehumidifier. In this mode the refrigerant is condensed in the coil located behind the evaporator coil. In the cooling mode, the refrigerant is routed to the remote condenser located outside and condensed there. The difference between the two modes of operation is where the heat is being discharged: inside or outside.

REHEAT

Reheat (dehumidification) is the normal mode of operation. The heat generated by the dehumidification process is put into the air in the controlled space until the temperature is satisfied.

COOLING

If dehumidification is required and the room is at the set temperature, the unit is automatically switched to the cooling mode (remote condenser). The cooling mode can override the humidistat and drop the humidity below the set point until the cooling set point is reached.

All DCA dehumidifiers can be set for automatic or continuous blower operation. This can be accomplished at the thermostat, or by an appropriate low-voltage jumper wire on the DCA unit (see system schematic).

If additional room heat is required, all DCA dehumidifiers are provided with two stages of heat control. Field-supplied pilot relays may need to be installed in the additional heating equipment. Many units can be configured to thermostatically start the compressor on a call for heat. This will override the humidistat and lower the humidity until the heating set point is reached.

Some units are equipped with a simple air defrost timer which shuts off the compressor for 10 minutes each hour (adjustable). The evaporator leaving air temperature control locks out the defrost timer when the coil is above 32° F. The blower runs during the defrost cycle.

Water Cooled

GENERAL

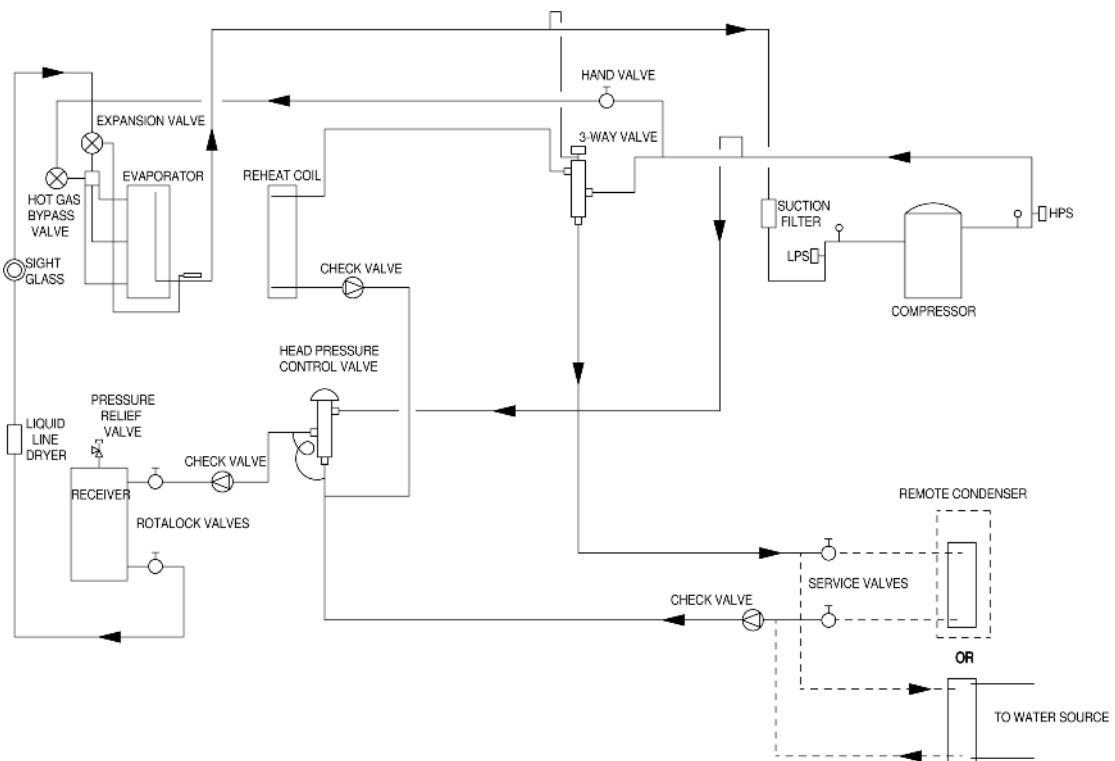
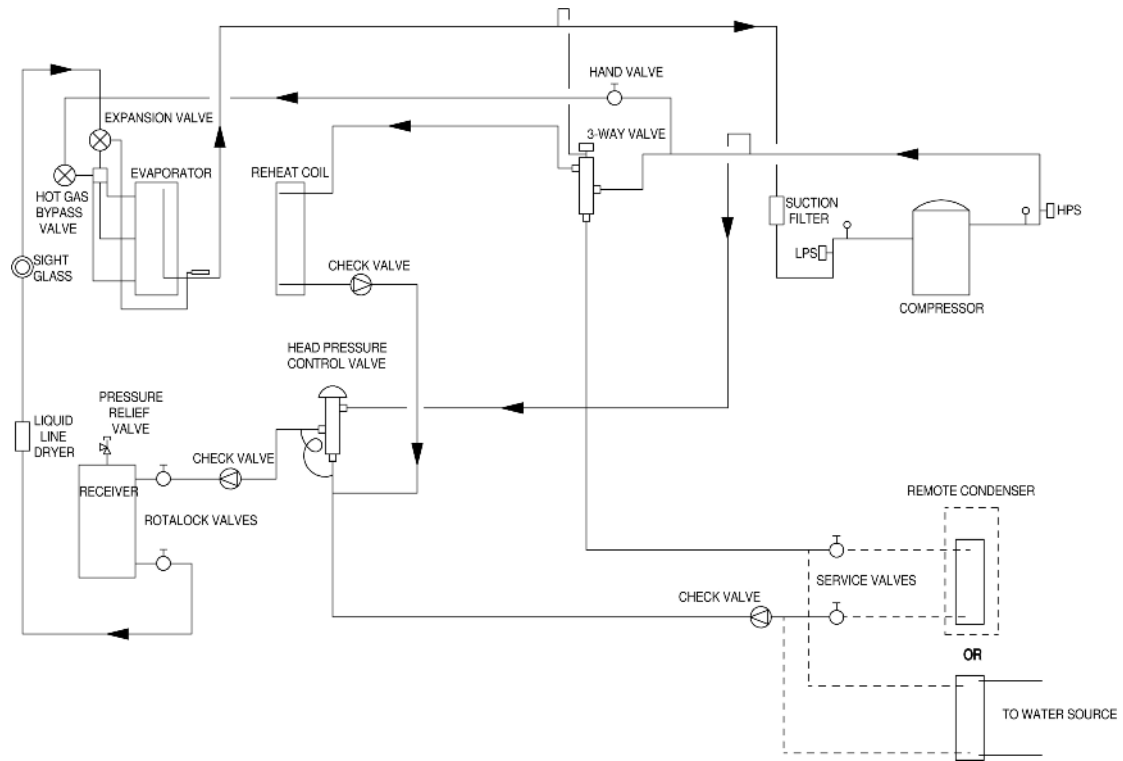
There are three basic modes of operation: Dehumidification (known as Reheat), Water Air- Conditioning, and Remote Condenser Air-Conditioning. In the reheat mode, all of the latent and sensible heat is returned to the room air stream, just as it is in a residential basement dehumidifier. In this mode the refrigerant vapor is condensed in the reheat condenser coil located behind the evaporator coil. In the water a/c mode, the refrigerant vapor is condensed in the water coil also located in the dehumidifier; in the remote condenser a/c mode, the refrigerant vapor is condensed in the outdoor remote condenser where the heat is then dissipated into the outdoor air. The difference between these modes of operation is where the heat is being directed: into the air inside, into the water, or into the air outside.

REHEAT

Reheat (dehumidification) is the normal mode of operation. The heat generated by the dehumidification process is put into the air in the controlled space until the room thermostat is satisfied.

WATER COOLING A/C

Whenever the air temperature exceeds the thermostat set point the unit will automatically switch to the air-conditioning mode. When the dehumidifier is operating in the air-conditioning mode, the heat will then be rejected to the water so. A water flow switch is built into the unit to prevent water cooling a/c when there is insufficient water flow.



Johnson Controls 600 Set Point Readjustment

MAIN PROGRAM FACTORY PRE-SET

To Change Temp Set Points:

Press....**Menu**

Temp Set?....**Yes**

Cooling Set?....**Yes**

Cooling....Use ▼or▲ to set temp, then **Yes**

Heating Temp?....**Yes**

Heating....Use ▼or▲ to set temp, then **Yes**

°F/ °C set?....No Exit Menu....**Yes**

Fan On or Auto Mode:

Press....**Menu**

Temp Set?....**No**

System Mode Set?....**No**

Fan Mode Set?....**Yes**

Use ▼or▲ to select On or Auto, then **Yes**

Exit?....**Yes**

T775U 2006 - Humidity Set Point Readjustment

Press and release....**Menu**

Program: Press ►

Mode 1: Press ▼to Relay 1

Relay 1: Press ►

Set Point: Press ►

Relative Humidity: Press ▲ or ▼ to set point then press ►

Differential: Press ► then press ▲ or ▼ to set point then press ►

Action: Press ▲ or ▼ to dehumidify, then press ►

Exit: press ►

Relay 2 (if used*): Press ► (*if not, scroll down to Exit)

Set Point: Press ►

Relative Humidity: Press ▲ or ▼ to set point then press ►

Differential: Press ► then press ▲ or ▼ to set point then press ►

Action: Press ▲ or ▼ to dehumidify, then press ►

Exit: Press ►

Exit: Press ►

Exit: Press ►

Reprogramming Complete!

T775L 2007 - Temperature Set Point Readjustment

Press and release...Menu

Program: Press ▶

Loop 1: Press ▶

Set Point: Press ▶

Adjust the set point with ▲ or ▼ to to desired temperature, then press ▶

Throt Rng: press ▶

Scroll up or down to the desired range, then press ▶

Sensor A: Press ▶

Heat/Cool: Press ▶

Heat: Press ▶

Exit: Press ▶

Loop 2: Press ▶

Set Point: Press ▶

Adjust the set point with ▲ or ▼ to to desired temperature, then press ▶

Throt Rng: press ▶

Scroll up or down to the desired range, then press ▶

Sensor A: Press ▶

Heat/Cool: Press ▶

Cool: Press ▶

Exit: Press ▶

Exit: Press ▶

Exit: Press ▶

Set Point Readjustment Complete!

T775B 2040 - Temperature Set Point Readjustment

Press and release...Menu

Program: Press ▶

Relay 1: Press ▶

Set Point: Press ▶

Adjust the set point with ▲ or ▼ to to desired temperature, then press ▶

Scroll down with ▼ to exit, then press ▶

Relay 2: Press ▶

Set Point: Press ▶

Adjust the set point with ▲ or ▼ to to desired temperature, then press ▶

Scroll down with ▼ to exit, then press ▶

Relay 3: Press ▶

Set Point: Press ▶

Adjust the set point with ▲ or ▼ to to desired temperature, then press ▶

Scroll down with ▼ to exit, then press ▶

Exit: Press ▶

Exit: Press ▶

Reprogramming Completed!

TROUBLESHOOTING - OWNER/USER

(The following is a guide for the owner/user to follow in the event the unit malfunctions. If further service is required, a qualified service technician must be called.)

| PROBLEM | POSSIBLE CAUSE | SOLUTION |
|---|---|--|
| Unit does not start | Main power off. | Turn main Power On. Reset circuit breaker or replace blown fuses. |
| | Thermostat system switch in off position. | Set system switch in automatic position. |
| | Humidistat turned off. | Turn humidistat on and set to desired RH level, usually between 50% to 60% R.H. |
| | Humidistat set too high. | Lower humidistat setting. |
| Unit does not shut off | Malfunctioning controls. | Call service technician to repair or replace control. |
| Unit not operating properly, high humidity in room | Humidistat turned off. | Turn humidistat on and set to desired RH level, usually between 50% to 60%. |
| | Air filters dirty. | Replace filter(s). |
| | Controls located in room that is not being treated by dehumidifier. | Change location of controls into room being treated by dehumidifier. |
| | Supply or return air registers blocked or closed. | Remove blockage and open registers. Check diffusers, make sure they are pointed in proper direction. |
| | Blower belt loose & slipping. | Check for worn belt and tighten or replace as necessary. |

TROUBLESHOOTING - SERVICE TECHNICIAN

(The following is a guide intended for use by qualified service personnel only. CAUTION High Voltage and refrigerant under high pressure are present.) Contact DCA service for assistance and information not in this manual. Be certain to have the model and serial number before you call.

| PROBLEM | POSSIBLE CAUSE | SOLUTION |
|-----------------------------------|---|--|
| Compressor will not start | Broken or loose wire. | Check all wire & connections. |
| | Compressor off on internal overload. | Allow to cool, will start automatically. |
| | Low voltage to unit. | Check voltage and correct. |
| | High pressure switch tripped. | Press reset switch. |
| | Low pressure switch tripped. | Check refrigerant charge. |
| | Compressor discharge temperature switch tripped. | Check refrigerant charge. |
| | Defective start relay, start capacitor, run capacitor, transformer or compressor. | Replace defective component. |
| Dehumidifying coil iced up | Return air below 45°F. | Raise return air temperature. |
| | Filters dirty or clogged. | Replace filters. |
| | Low air flow. | Check blower motor and belt. |
| | | Adjust blower speed. |
| | | Check blower rotation. |
| | | Check duct design. Refer to manual for proper sizing and design. |
| | Low refrigerant Charge. | Add Refrigerant. (See charging procedure) |
| | Bad expansion valve. | Replace expansion valve. |
| | Restricted drier. | Replace drier. |
| Restricted distributor tubing. | Replace distributor tubing. | |
| Restricted distributor. | Replace distributor. | |

TROUBLESHOOTING - SERVICE TECHNICIAN

(The following is a guide intended for use by qualified service personnel only. CAUTION High Voltage and refrigerant under high pressure are present.)

| PROBLEM | POSSIBLE CAUSE | SOLUTION |
|--|---|--|
| High head pressure | Low air flow. | Adjust blower speed. |
| | Return air short cycling. readjust supply and return | Check duct design and air registers. |
| | Refrigerant overcharge. | Adjust refrigerant. (See charging procedure). |
| | Non-condensable in system. | Evacuate and recharge system. |
| | Dirty coils. | Clean all coils in unit and remote if equipped. |
| | Dirty filters. | Replace filters. |
| Head pressure switch tripping (Same as above) | Blower running too slow. | Adjust blower speed up. |
| | Blower turning backwards. | Change blower rotation.. (3 phase only) |
| | Motor going off on internal overload. | Check for rated AMP draw. Replace motor if defective. |
| | Dirty filters. | Replace filters. |
| | Supply and return air registers restricted or blocked. | Remove restrictions or blockages. |
| | Refrigerant overcharge. | Adjust refrigerant. (See charging procedure). |
| | Dirty coils. | Clean all coils in unit and remote if equipped. |
| | Low Water Flow | Check Flow |
| Defective head pressure switch. | Replace head pressure | |
| Low head pressure | Low refrigerant charge. | Add refrigerant. (See charging procedure). |
| | Return air temperature too low. | Return air temperature must be minimum 45°F. |

TROUBLESHOOTING - SERVICE TECHNICIAN

(The following is a guide intended for use by qualified service personnel only. CAUTION High Voltage and refrigerant under high pressure are present.)

| PROBLEM | POSSIBLE CAUSE | SOLUTION |
|-------------------------------|---|--|
| High suction pressure | High air flow. | Incorrect duct work causes stratification of air on inlet. |
| | Return air temperature too high. | Lower temperature in room. |
| Low suction pressure | Defective compressor. | Replace compressor. |
| | Refrigerant charge low. | Adjust refrigerant. (See charging procedure) |
| | Low air flow. | Adjust blower speed. Check blower, motor and pulley. |
| | Return air temperature too low. | Raise return air temperature. |
| High humidity in space | Dirty filters. | Replace filters. |
| | Incorrect duct work. | Check duct work design. (See manual) |
| | Low air flow. | Adjust blower. Check blower, motor and pulley. |
| | Dirty filters. | Replace filters. |
| | Outdoor condenser not operating properly. | Clean outdoor coil and check blower, motor and belt. |
| | Refrigerant system overcharge. | Check pressures. Adjust per manual. |
| | Unit too small or not enough capacity to handle humidity and problem. | Refer to guide lines regarding sizing dehumidifiers for load and applications. |

CONTACT INFORMATION

Dorothy Bowen, Receptionist262-377-7501
dbowen@dehumidifiercorp.com

Mitch Fisher, Inside Sales Manager/Director of Marketing262-377-7501
mfisher@dehumidifiercorp.com

Arek Gdowski, Engineering262-377-7501
agdowski@dehumidifiercorp.com

Danielle Schroeder, Purchasing/Order Entry262-377-7501
dschroeder@dehumidifiercorp.com

Graham Gelhaar, Tech Support, Parts, Warranty, Service and Installation ..262-377-7501
ggelhaar@dehumidifiercorp.com

Tony Giuffre - PE, Engineering262-377-7501
tgiuffre@dehumidifiercorp.com

Rick Heil, Tech Support, Parts, Warranty, Installation and Service262-377-7501
rheil@dehumidifiercorp.com

Gary Metzger, Controller/Warranty & Parts262-377-7501
gmetzger@dehumidifiercorp.com

Jim Metzger, VP Sales262-377-7501
jmetzger@dehumidifiercorp.com

Toll Free888-883-7602
Fax262-377-7502

W53 N550 HIGHLAND DRIVE
P.O. BOX 0917
CEDARBURG, WI 53012
PHONE: 262-377-7501
FAX: 262-377-7502
E-MAIL: info@dehumidifiercorp.com

www.dehumidifiercorp.com